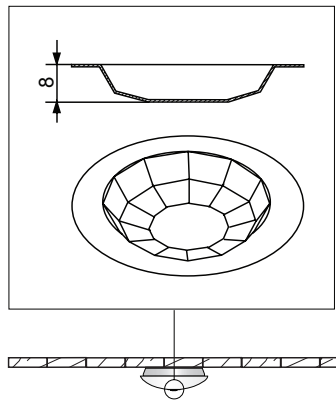




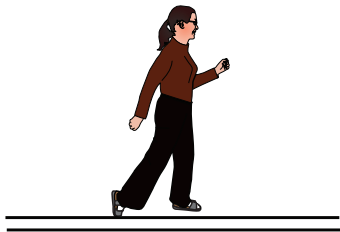
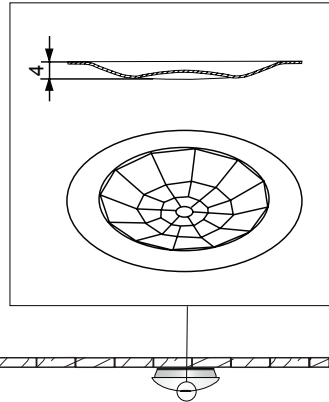
PIR LINSSIEN VAIHTO-OHJE
PIR LINSERNAS BYTESANVISNING
INSTRUCTION FOR CHANGING
PIR LENSES

PEM 418
13.06.2007

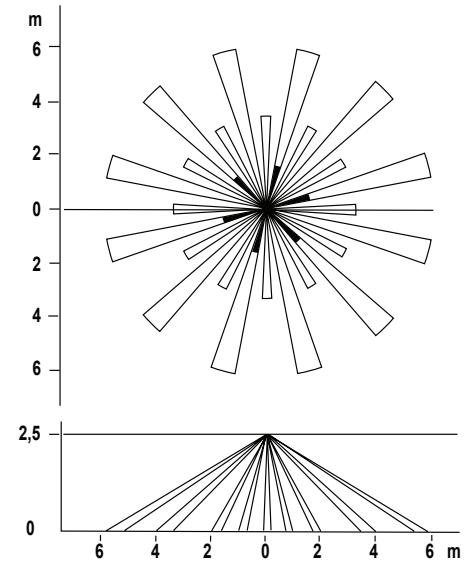
A



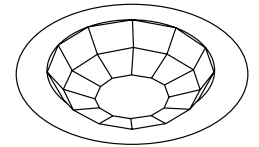
B



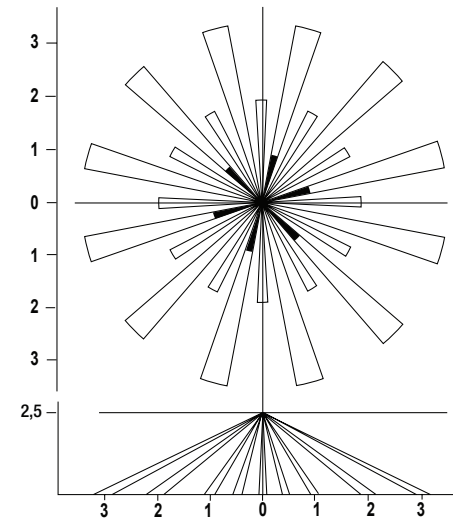
A



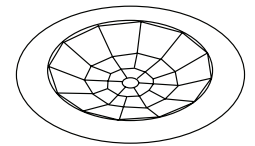
PET 585

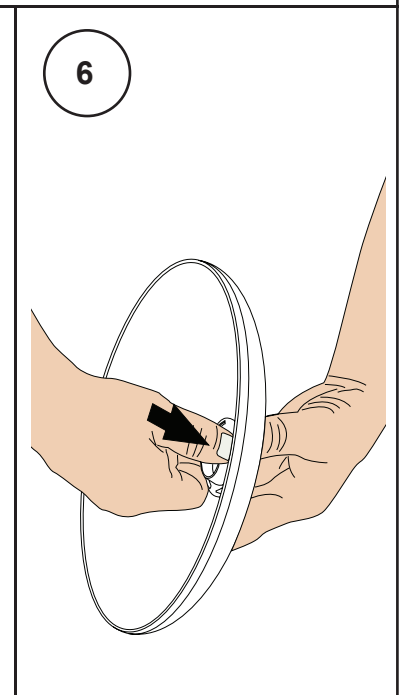
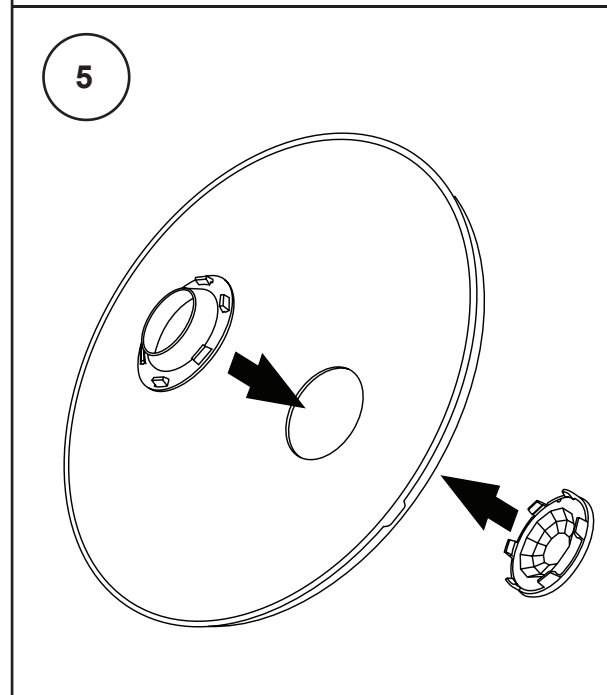
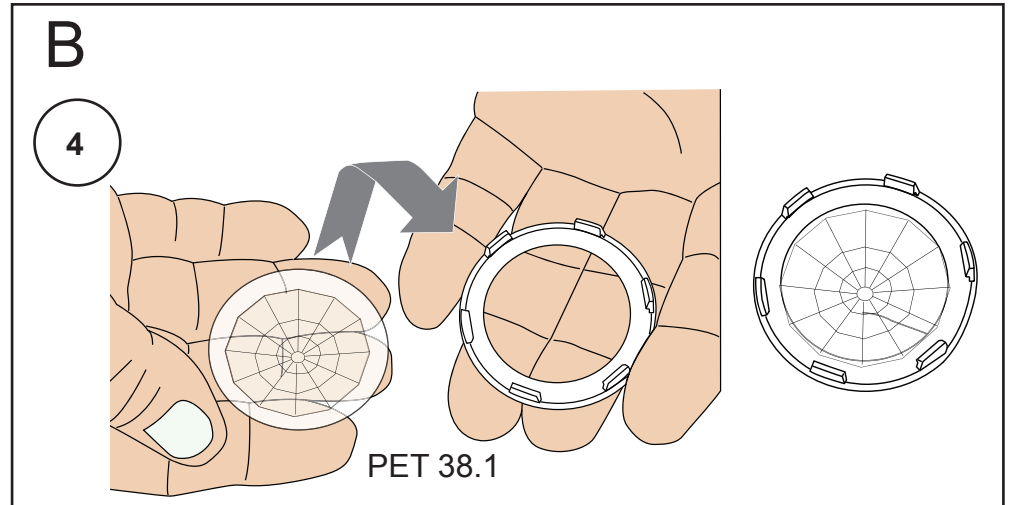
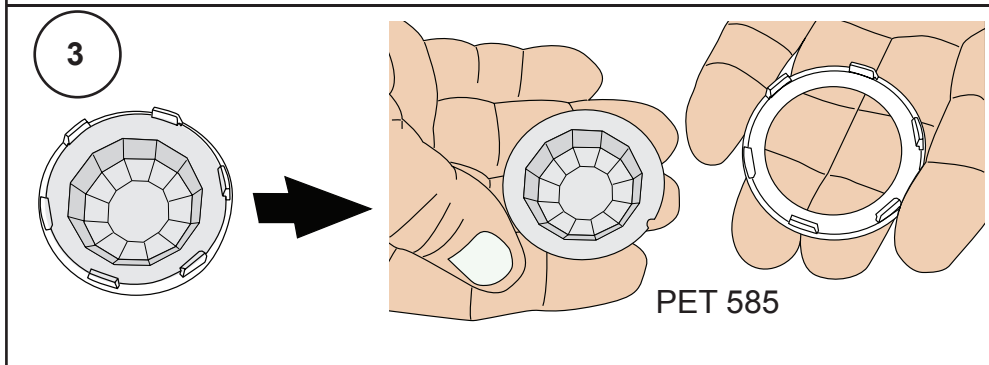
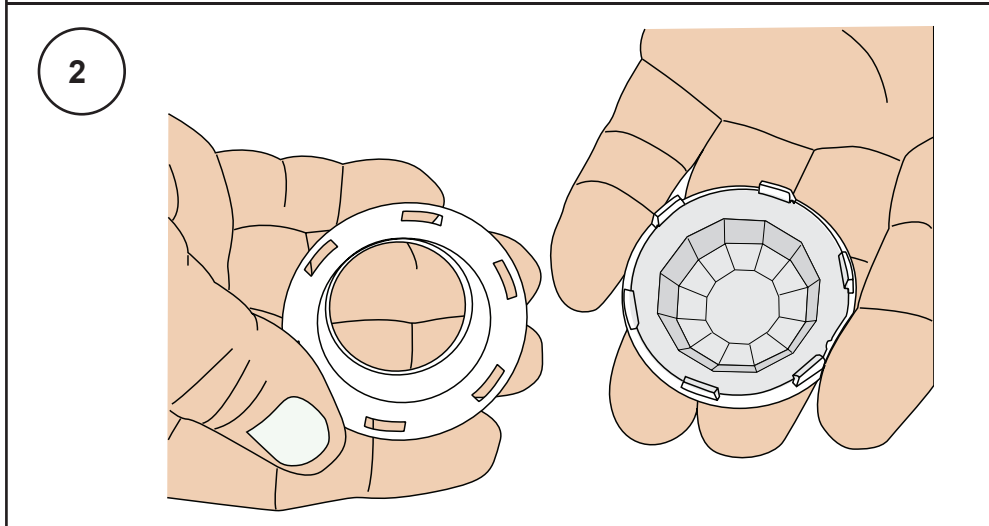
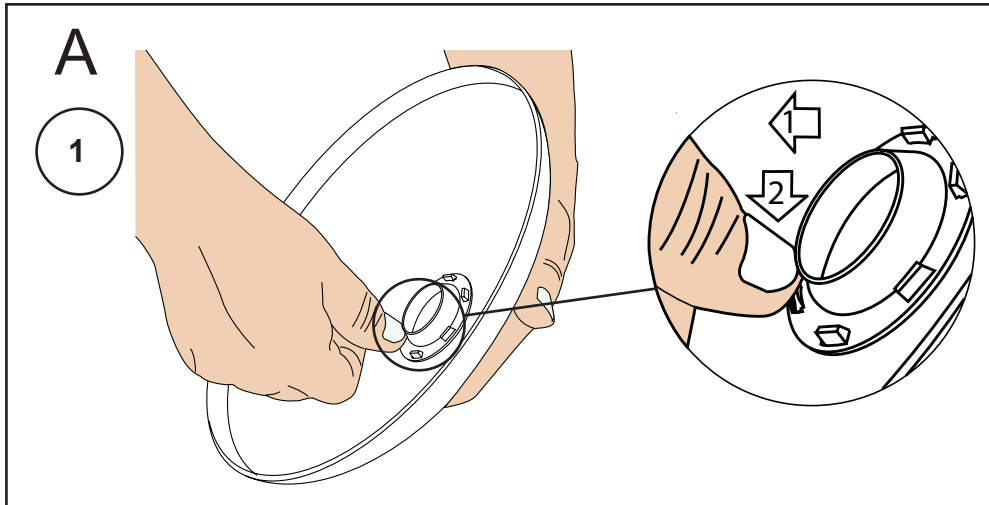


B



PET 38.1





ENSTO ELECTRIC OY

P.O. BOX 110
06101 PORVOO, FINLAND
TEL. 0204 76 21
FAX. 0204 76 2753

INT. TEL. + 358 204 76 21
FAX. INT. + 358 204 76 2753
www.ensto.com